



Masterlift 2.35 NxT Pv 160-220 xy VW

Electro-hydraulic twin-ram lift 3.5 t with repair platform



**VAS 5246A | ASE45504501000:
20012129**

Order no.	Item no.	#	Part of the approval according to order no. 20012129:
20012129	14107	1	Repair platform 2.35 Pv 160-220 – solid steel, zinc-coated and painted RAL 9006, with aluminium mounting plates incl. xy plates
	14050	1	Hydraulic unit ML 2.35 NxT, Ø140 mm, PD 1550, stroke 1915 mm, with aluminium cover and 1 set of piston support floor plates
	12561	1	VW specification VAS 5246A
	11063	1	Set of cables 10 m
	12033	1	Ecological hydraulic fluid 10 ltr
	11104	1	Set of 2 magnetic tool trays
	11103	1	Document holder

The Masterlift 2.35 NxT Pv is optimally suited for **quick and easy vehicle lifting**.

The premium repair platforms are constructed of very strong and rigid solid steel that offers a **high degree of stability**. They are zinc-coated and painted. Looks great and works great!

The repair platforms, which come with **xy-function in the premium version as standard**, make the Masterlift 2.35 NxT the perfect helper in your workshop. Optionally, longitudinally adjustable supports can be supplied instead of the xy function.

The handy, **non-slip and form-fitting rubber pads** ensure that the vehicle is lifted with pinpoint accuracy.

The **strong 140 mm diameter cylinders** are designed for long-lasting functionality and further round off the high-quality level, which ensures **low maintenance requirements**.

Even in the event of a power blackout, the lift can still be lowered without any problem thanks to the pneumatic emergency lowering system.

The Masterlift 2.35 NxT Pv is perfectly completed by a **control system that is both visually and technically convincing**.

Standard colours:

Pv Premium: zinc coated and painted - RAL 9006

Options:

Rubber blocks in different heights

Installation variants:

On-floor installation
Ceiling installation

Optionally available:

Self-supporting installation, without load on the bottom of the sub-casing

Not included in the scope of approval, please order separately:

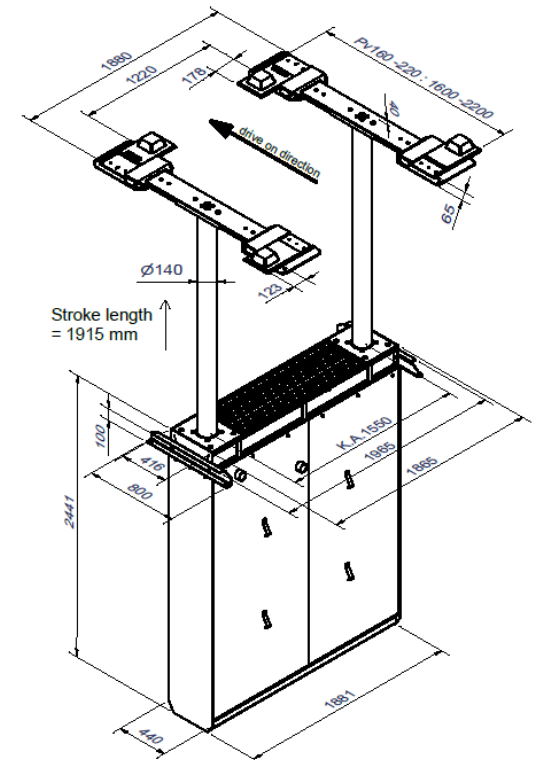
Frame:

Standard: completely hot-dip galvanized

Sub-casing:

Standard: painted
Optional: hot-dip galvanized or plastic-coated

Can be adapted to existing cassettes.



Masterlift 2.35 NxT Pv – VAS 5246A | ASE45504501000