

Major 6230

Electro-hydraulic 4-post lift, 6.2 t capacity



Application

- Check-in
- Repair and maintenance

Approvals / recommendations

- Renault

Description:

Posts:

- Integrated eccentric brake system
- Emergency stop valve
- Obstruction system
- Pneumatic parking system in height adjustable ratchets
- Pump unit with immersed motor and control unit on rear left post
- Pushbutton control unit with alarm signal
- Hydraulic cylinder under left platform
- Lifting and lowering by means of cables
- Emergency lowering valve

Platforms:

- One movable platform as standard
- Platforms prepared for AUTOPSTENHOJ scissor jack

Standard colours:

- Platforms & posts: RAL 7016 – grey
- Ramps: RAL 3020 – red

Versions:

- Available with different voltages
- Drive-on ramps and stops for surface-mounting, alternatively drive-over ramps for recessed installation
- S = flush platforms
- G = galvanized platforms
- 55 = 5,500 mm platforms
- 60 = 6,000 mm platforms

Optional extras:

- Set of expansion bolts
- Extra control unit
- LED-lighting set
- Set of two 385 mm ramp extensions
- Set of two platform extensions (0.5 m)

Special colours available on request!



Scan the QR-Code for detailed product information.

Further Information on www.autopstenhoj.com

AUTOPSTENHOJ GmbH

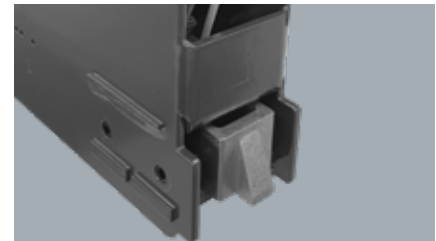
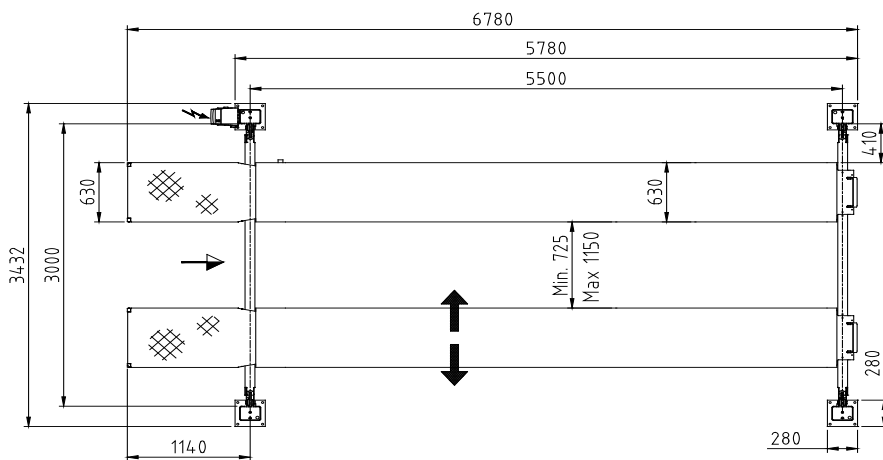
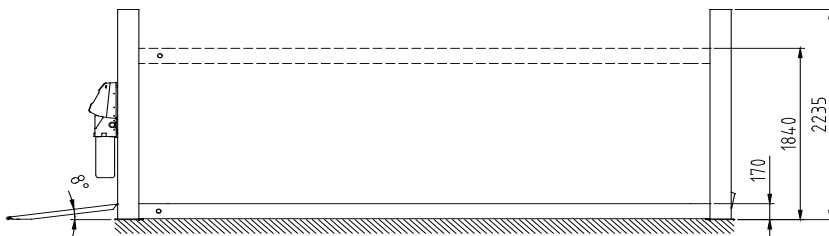
Sandkampstraße 90
D-48432 Rheine
☎ +49 5971 8602-02
✉ info@autopstenhoj.com

AUTOPSTENHOJ GmbH

Barrit Langgade 188-190
DK-7150 Barrit
☎ +45 76 82 13 30
✉ info@autopstenhoj.com

| Technical data | |
|-------------------------|----------------------------------|
| Lifting capacity | 6,200 kg |
| Lifting height | 1,670 mm |
| Working height | 1,840 mm |
| Lifting / lowering time | approx. 48 / 58 sec. |
| Pump unit | 3 kW |
| Voltage | 3x230 / 400V – 50 Hz – 25 / 16 A |

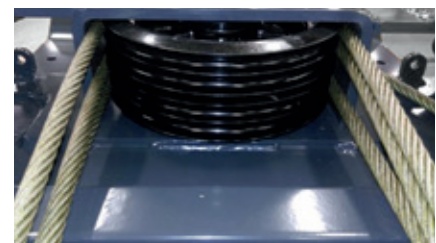
| Platforms | |
|---------------------------------------|------------------|
| Total length | 6,780 / 7,280 mm |
| Usable length of platform | 5,500 / 6,000 mm |
| Wheel base, min. - max. | variable |
| Platform width | 630 mm |
| Distance between platforms | 725 – 1,150 mm |
| Min. height | 170 mm |
| Width between posts | 3,000 mm |
| Total width - outer edges base plates | 3,432 mm |
| Total height | 2,235 mm |



Ratchet for parking position



Control unit and power pack on rear left post



Pulley with steel cable