

Major 7230

Electro-hydraulic 4-post lift, 7.2 t capacity



Application

- Direktannahme
- Repair and maintenance

Approvals / recommendations

- Renault

Description:

Post:

- Integrated eccentric brake system
- Emergency stop valve
- Obstruction system
- Pneumatic parking system in height adjustable ratchets
- Pump unit with immersed motor and control unit on rear left post
- Pushbutton control unit with alarm signal
- Hydraulic cylinder under left platform
- Lifting and lowering by means of cables
- Emergency lowering valve

Platforms:

- One movable platform as standard
- Platforms prepared for AUTOPSTENHOJ scissor jack

Standard colours:

- Platforms & posts: RAL 7016 – grey
- Ramps: RAL 3020 – red

Versions:

- Available with different voltages
- Drive-on ramps and stops for surface-mounting, alternatively drive-over ramps for recessed installation
- S = flush platforms
- G = galvanized platforms

Optional extras:

- Set of expansion bolts
- Extra control unit
- LED-lighting set
- Set of two 385 mm ramp extensions
- Set of two platform extensions (0.5 m)

Special colours available on request!



Scan the QR-Code for detailed product information.

Further Information on www.autopstenhoj.com

AUTOPSTENHOJ GmbH

Sandkampstraße 90
D-48432 Rheine
☎ +49 5971 8602-02
✉ info@autopstenhoj.com

AUTOPSTENHOJ GmbH

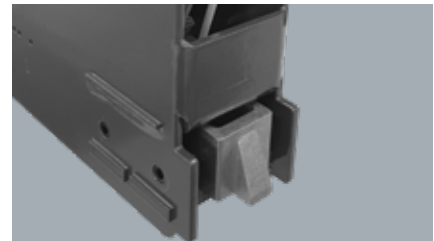
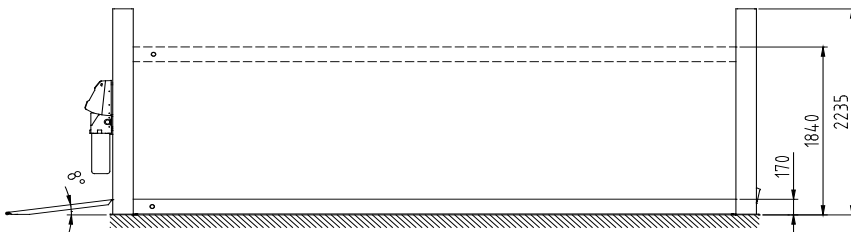
Barrit Langgade 188-190
DK-7150 Barrit
☎ +45 76 82 13 30
✉ info@autopstenhoj.com

Technical data

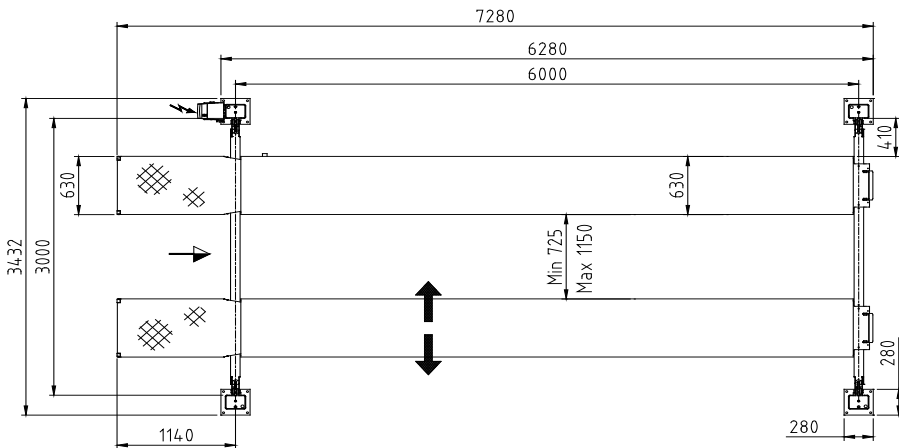
Lifting capacity	7,200 kg
Lifting height	1,670 mm
Working height	1,840 mm
Lifting / lowering time	approx. 40/58 sec.
Pump unit	3 kW
Voltage	3x230/400V – 50 Hz – 25 / 16 A

Platforms

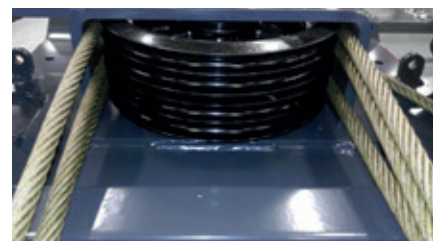
Total length	7,280 mm
Usable length of platform	6,000 mm
Wheel base, min. - max.	variable
Platform width	630 mm
Distance between platforms	725 – 1,150 mm
Min. height	170 mm
Width between posts	3,000 mm
Total width - outer edges base plates	3,432 mm
Total height	2,235 mm



Ratchet for parking position



Control unit and power pack on rear left post



Pulley with steel cable