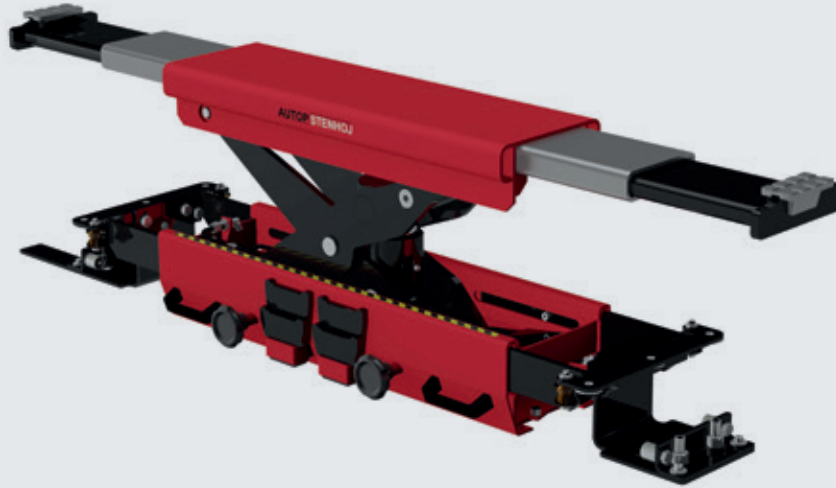


Micro 20 & 26 & 40 air-hydraulic

Air-hydraulic scissor jack, 2/2.6/4 t capacity



Application

- For use on Major platform lifts

Approvals / recommendations

- Micro 20 & 26:
Volvo

Description:

Micro 20 & 26:

- Double-acting cylinder
- 2-hand operation
- Mechanical parking system
- Non-return valve
- Retaining device
- Double arm extension
- Galvanized arms

Micro 40:

- 2-hand operation
- Deadman control
- Pressure relief valve
- Retaining device
- Double arm extension

Standard colours:

- RAL 3020 – red

Versions:

- Micro 20 = 2,000 kg & 1,600 mm extension
- Micro 26 = 2,600 kg & 1,460 mm extension
- Special version Micro 26 = 2,600 kg & 1,600 mm extension
- Micro 40 = 4,000 kg & 1,500 mm extension
- Delivery includes a variety of pads

Optional extras:

- Air connection kits
- A large program of extra pads

Special colours available on request!



Scan the QR-Code for detailed product information.

Further Information on www.autopstenhoj.com

AUTOPSTENHOJ GmbH

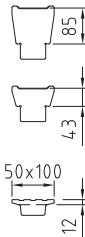
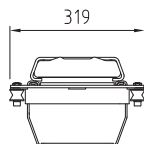
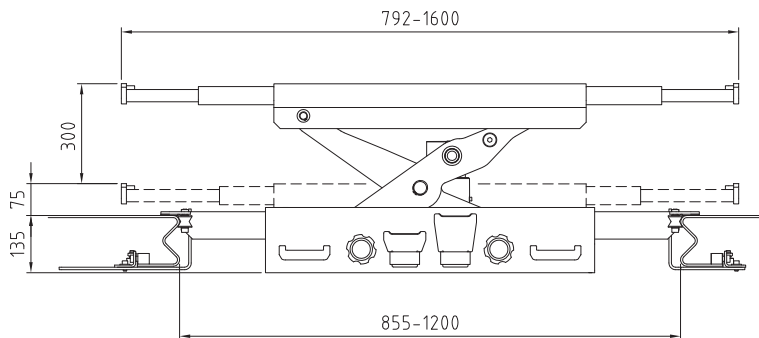
Sandkampstraße 90
D-48432 Rheine
☎ +49 5971 8602-02
✉ info@autopstenhoj.com

AUTOPSTENHOJ GmbH

Barrit Langgade 188-190
DK-7150 Barrit
☎ +45 76 82 13 30
✉ info@autopstenhoj.com

Technical data

Lifting capacity	2,000 / 2,600 / 4,000 kg
Lifting height	300 / 250 mm
Min. height	75 mm
Lifting / lowering time	27/5 / 23/5 / 60/5 sec.
Operation	air-hydraulic
Pressure min. - max.	5.5/8 / 8.5/12 bar
Extension	792 – 1,600 mm / 792 – 1,460 mm / 780 – 1,500 mm



Air-hydraulic Micro 26 on BL 2.65 F550



Air-hydraulic Micro 26 on PL 2.40 F



We offer a large program of extra pads for the Micro jacks