

Micro 20 & 26 full-hydraulic

Full-hydraulic scissor jacks with 2 & 2.6 capacity



Application

- For use on Major platform lifts

Description:

- Operates on the Major lift pump
- 2-hand operation
- Mechanical parking system
- Non-return valve
- Double arm extension
- Galvanized arms

Standard colours:

- RAL 3020 – red

Versions:

- Micro 20 = 2,000 kg & 1,600 mm extension
- Micro 26 = 2,600 kg & 1,460 mm extension
- Special version Micro 26 = 2,600 kg & 1,600 mm extension
- Delivery includes a variety of pads

Optional extras:

- Hydraulic connection kits
- A large program of extra pads

Special colours available on request!



Scan the QR-Code for detailed product information.

Further Information on www.autopstenhoj.com

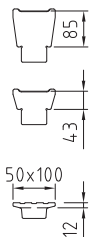
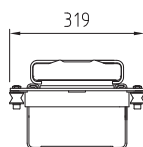
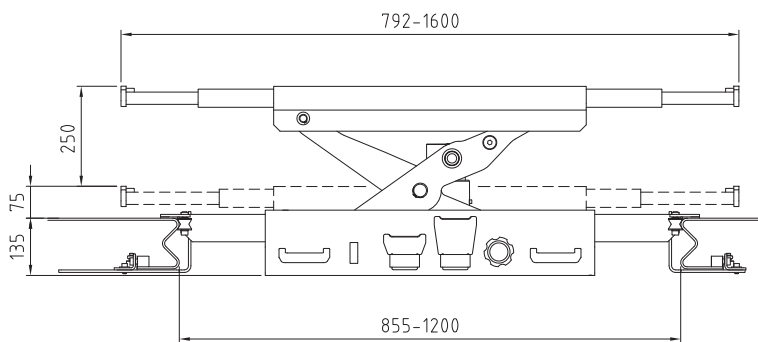
AUTOPSTENHOJ GmbH

Sandkampstraße 90
D-48432 Rheine
☎ +49 5971 8602-02
✉ info@autopstenhoj.com

AUTOPSTENHOJ GmbH

Barrit Langgade 188-190
DK-7150 Barrit
☎ +45 76 82 13 30
✉ info@autopstenhoj.com

Technical data	
Lifting capacity	2,000 / 2,600 kg
Lifting height	250 mm
Min. height	75 mm
Lifting / lowering time	5 / 15 sec.
Operation	full-hydraulic
Pressure	230 bar
Extension	Micro 26: 792 - 1,460 mm Micro 20: 792 - 1,600 mm



We offer a large program of extra pads for the Micro jacks



Micro Full hydraulic