

# Jet Cleaner RC 82/122

Parts cleaning machines



## Description:

Parts cleaning machines made of stainless steel for economical and ecological parts cleaning, degreasing on water basis using spray nozzels.

- Compact and sturdy design
- Made of stainless steel
- Simple handling
- Space saving
- 3D-blast pipe system incl. flat fan nozzles
- Low-water level alarm
- Safety limit switch on cover

### Tub cover:

- Track rollers + fixed rollers

## Versions:

- RC 82 with 790 mm usable basket diameter
- RC 122 with 1190 mm usable basket diameter

## Optional extras:

- Heating timer
- Oil skimmer
- Economy insulation
- Detergents & small parts baskets
- Service counter

**Special colours available on request!**



Click the QR-Code for detailed product information.

Further Information on [www.autopstenhoj.com](http://www.autopstenhoj.com)

**AUTOPSTENHOJ GmbH**

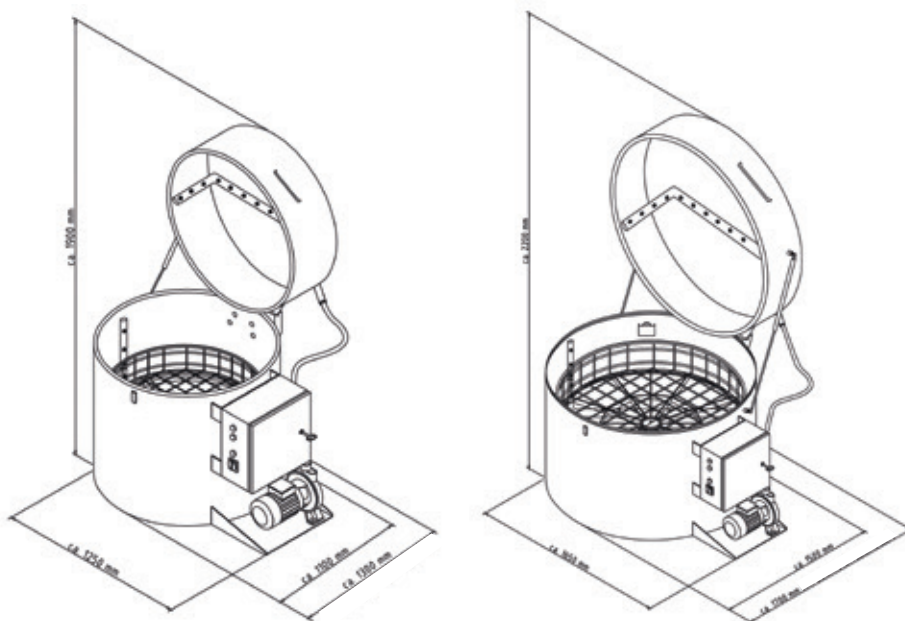
Sandkampstraße 90  
D-48432 Rheine  
☎ +49 5971 8602-02  
✉ [info@autopstenhoj.com](mailto:info@autopstenhoj.com)

**AUTOPSTENHOJ GmbH**

Barrit Langgade 188-190  
DK-7150 Barrit  
☎ +45 76 82 13 30  
✉ [info@autopstenhoj.com](mailto:info@autopstenhoj.com)

**Technical Data**

	<b>RC 82</b>	<b>RC 122</b>
Usable basket diameter	790 mm	1.190 mm
Usable height	500 mm	500 mm
Loading height	930 mm	830 mm
Max. basket load	300 kg	500 kg
Liquid volume	150 l	370 l
Pump ratio	200 l/min	280 l/min
Pump pressure	3 bar	5 bar
Voltage	230 / 400 V - 50 Hz - 14 A	230 / 400 V - 50 Hz - 24 A
Pump motor rating	1.5 kW	4 kW
Heating	6 kW	9 + 6 kW
Basket drive	Jet of water	E-Motor 0.09 kW
Total height	approx. 1,200 mm	approx. 1,300 mm
Total width	approx. 1,300 mm	approx. 1,650 mm
Total depth	approx. 1,300 mm	approx. 1,500 mm
Total weight	approx. 220 kg	approx. 350 kg



Before cleaning



After cleaning