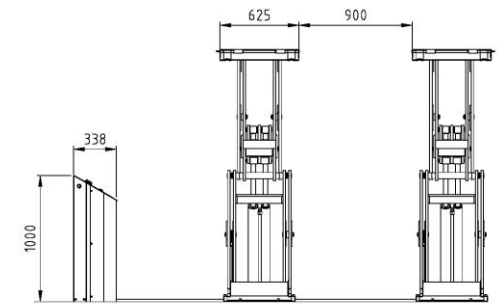
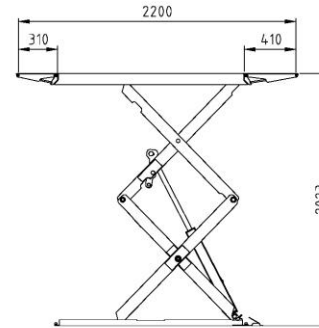


Order no.	Item no.	#	Part of the approval according to order no. 20011117:
20011117	002546	1	MagiX 35 DS II long (platform length incl. drive on ramps = 2200mm)



The double scissor lift MagiX 35 DS II convinces with **an optimal lifting range** from small passenger cars to VW T6 short wheelbase / BMW 7 series long and SUVs. Thanks to **the low overall height of only ≤100 mm**, even driving over with flat vehicles is no problem. We achieve full lifting capacity from a low lifting height. The MagiX 35 DS II comes with a **comfortable working height of over 2 metres**, which is important for ergonomics at the workplace. The MagiX 35 DS II does not have a predefined drive-on direction, i.e. it can be driven on from both sides and the positioning of the control column can be flexible. It also **does not require compressed air or a safety ratchet**. The MagiX 35 DS II scores with lubrication-free teflon sliding bearings in all joints and a **stable scissor construction** that ensures high lateral stability. The **synchronisation** is monitored **electronically**.

Standard colour:

Platform & scissor: RAL 7016
Ramps: RAL 3020

Versions:

G = galvanized platforms

Options:

- Set of expansion bolts
- LED-lighting set for surface-mounted installation
- Installation frame galvanized, for recessed installation
- Rubber blocks in different heights
- Hose extensions incl. covers
- Additional long drive-over ramps for lowered cars
- On-floor or recessed installation with the same lift

